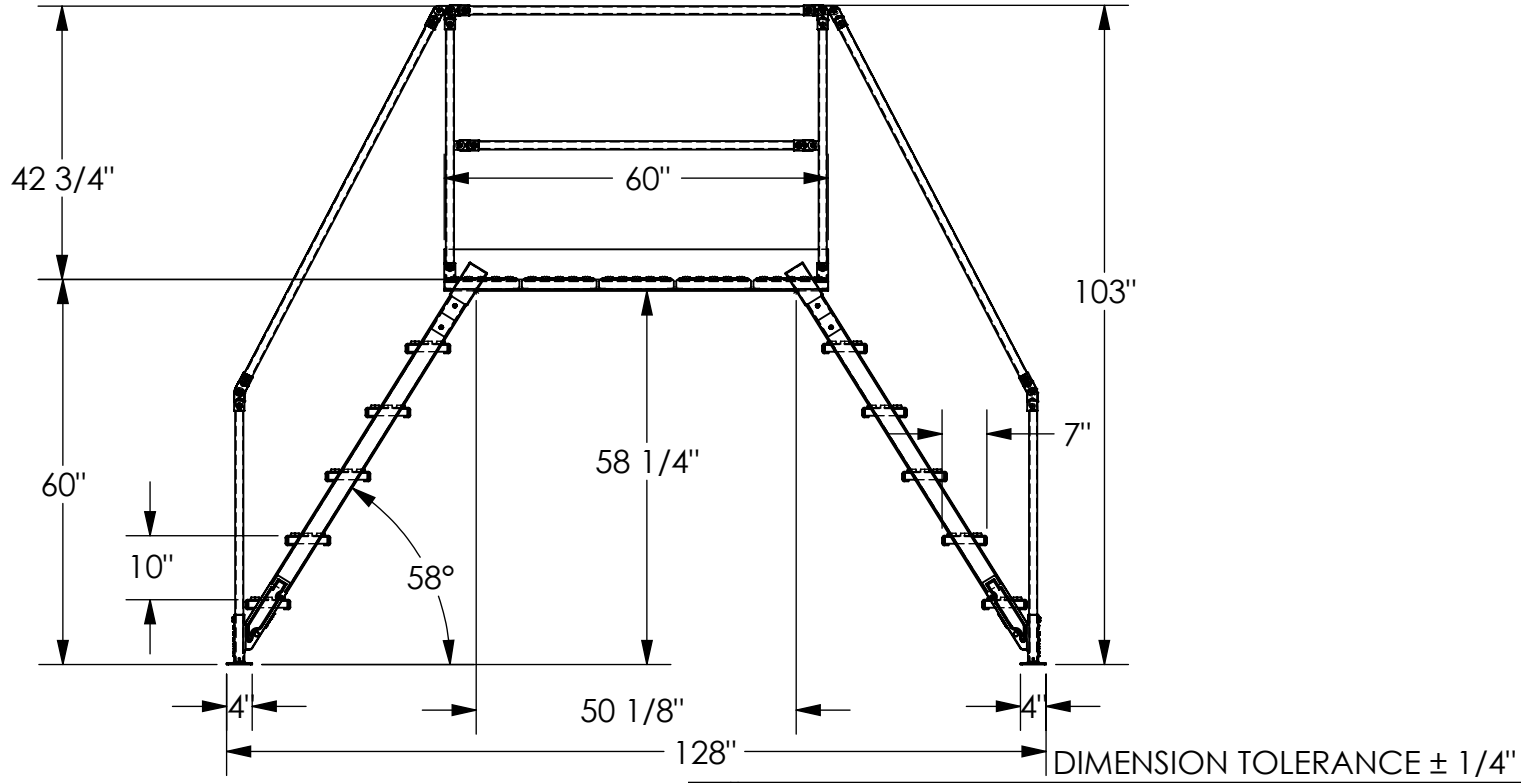
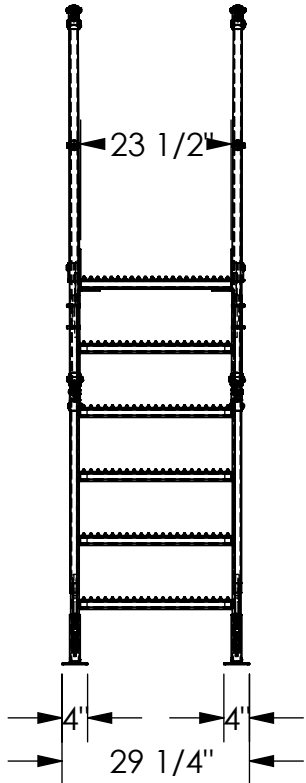


CROSS-OVER LADDER - COL-6-56-44-HDG

APPROX WEIGHT: 457.37 lbs.
DOES NOT INCLUDE WEIGHT OF POWER OR PACKAGING!!!

*** ANY ADDITIONS, DELETIONS, OR OMISSIONS MUST BE CORRECTED ON THIS DRAWING AS THIS DRAWING WILL BE CONSIDERED ALL INCLUSIVE ***

ALL GRAPHICS PROVIDED ARE FOR REFERENCE ONLY. IF CERTAIN DIMENSIONS ARE CRITICAL PLEASE VERIFY THOSE DIMENSIONS WITH YOUR SALESPERSON



DIMENSION TOLERANCE ± 1/4"

STANDARD FEATURES

MODEL NUMBER: COL-6-56-44-HDG
 OVERALL SIZE:
 29 1/4" W x 128" L x 103" H
 CLEARANCE SPAN:
 50 1/8" W x 58 1/4" H
 TOP PLATFORM HEIGHT: 60"
 STEP HEIGHT SPACING: 10"
 STEP DEPTH: 7"
 STEP & PLATFORM WIDTH 23 1/2"
 CLIMB ANGLE: 58°
 HOT DIPPED GALVANIZED FINISH
 HANDRAILS ARE TOUGH BAKED IN POWDER COATED YELLOW FINISH
 ALL STEPS & PLATFORM ARE SERRATED STEEL
 KNOCK-DOWN HANDRAILING
 (UNIT SHIPS KNOCKED DOWN, ASSEMBLY REQUIRED)

SPECIAL FEATURES

NONE

NOTE

UNIT MUST BE ANCHORED TO THE FLOOR!!!
 Ø7/16" MOUNTING HOLES
 8 TOTAL MOUNTING HOLES PER
 STANDARD UNIT
 2 MOUNTING HOLES PER CORNER
 BRACKET

APPROVAL	I, THE UNDERSIGNED, AGREE THAT THE PRODUCT AS REPRESENTED SATISFIES DESIGN AND DIMENSION REQUIREMENTS. I ALSO ACKNOWLEDGE MY DUTY TO CONFIRM PRODUCT AND INSTALLATION COMPLIANCE WITH ALL APPLICABLE FEDERAL, STATE AND LOCAL REGULATIONS AND STANDARDS.	
	UNITS REQUIRING APPROVAL DRAWINGS OR MODIFIED ARE NON-RETURNABLE	
	[] As drawn [] As marked	
	Signed: _____	Date: _____
Printed Name: _____		
LEAD TIME WILL START UPON RECEIPT OF SIGNED APPROVAL DRAWING		

DISTRIBUTOR'S NAME:		P.O.#
VESTIL MANUFACTURING		X
DRAWN BY: BCN		W.O.#
DATE: 4/29/2016		X
REFERENCE: X	SCALE: 1:30	SALES: X
QUOTED LEAD TIME: X	QUOTE #	FILE NAME:
	X	44-007-743